



FLAIR
MODULAR BAR SYSTEMS



MODULAR BAR SYSTEMS
PRODUCT BROCHURE



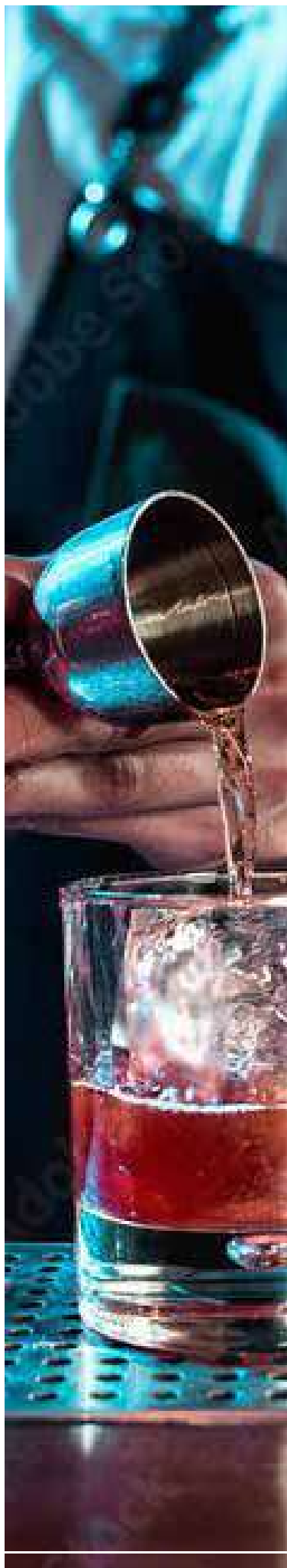
CONTENTS:

Flair Work Stations

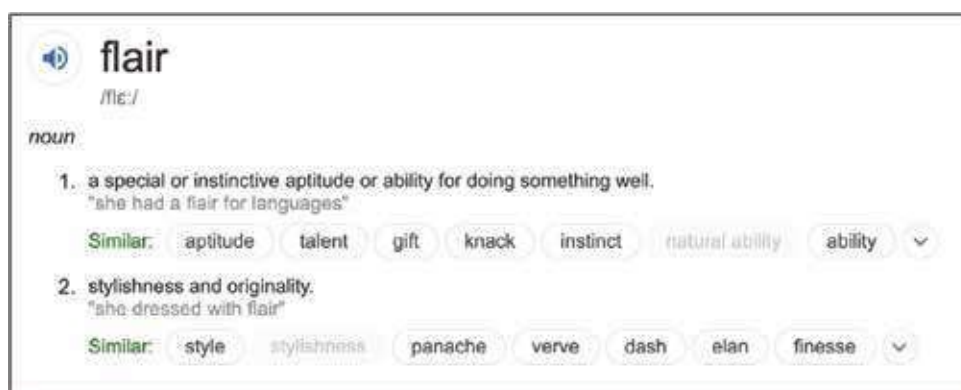
Introduction	X
Product Overview	X
Design by Flair	X
Flair Options	X
Product Range	X

Bartender Work Stations

Overview	X
Designing with Bartender	X
Key Dimensions	X
Product Codes	X
Installation Instructions	X
Bartender Infills	X
Product Care	X
Drainage Information	X



INTRODUCTION



Welcome to the **FLAIR** range of **MODULAR BAR SYSTEMS**.

All of our products are tried, test & manufactured in the UK. They can be seen in almost every **Vodka Revolution Bar & Revolution De Cuba Bar** in the country.

Whilst offering a standard range of products, which can be found in this brochure. The Flair range extends to suit more bespoke requirements. For more information & design solutions we recommend a free design consultation and contacting your dealer to arrange.

This brochure helps you design any cocktail bar and helps to understand the build and functionality.

All our products are Made in Britain by our own factory. Boasting CNC technology, high quality welding and polishing, using premium grades of steel.



REVOLUTION



PRODUCT OVERVIEW

Key points with **Flair Design**

- All flair products are modular
- All flair products have side valances (so they can be used at the end of the bar)
- All flair products are fully welded (removable shelves where required)
- Available in bullnose or box profile (customer choice)
- Flair design for maximum storage solutions
- Flair design maximises work flow

DESIGN BY FLAIR

EXAMPLE MODULAR BAR SYSTEM DESIGN.



FLAIR OPTIONS

The flair bar system allows you to choose options in both design and functionality.

Whether you are looking to improve a current bar system or increase output we have various design solutions to accommodate your requirements.

How to order

1. Choose your bar top profile option.
2. Choose your under structure (or mix and match).
3. Choose individual modular components to build your perfect bar.
4. Pick your sizes (bespoke sizes available if required).
5. Use our easy to order code system for placing orders.

Lead times:

Typical lead times vary from 2-6 weeks from order.

Design Service:

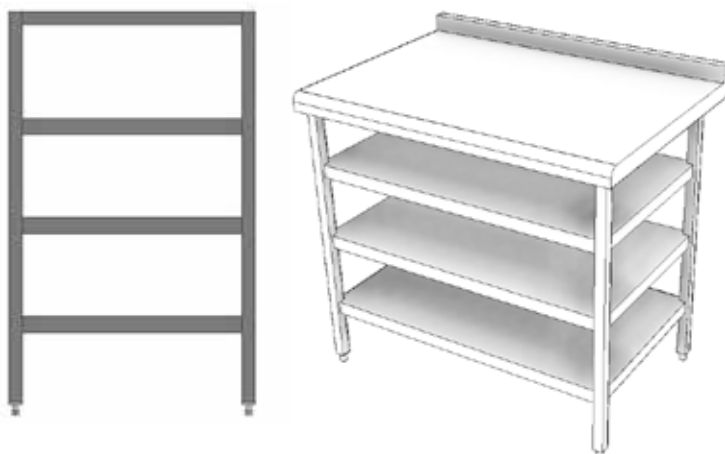
We also provide an on site measuring service to help you design your **Flair Modular Bar System**.



CHOOSE YOUR SHELVING OPTIONS

Standard Shelves

code ref: STD



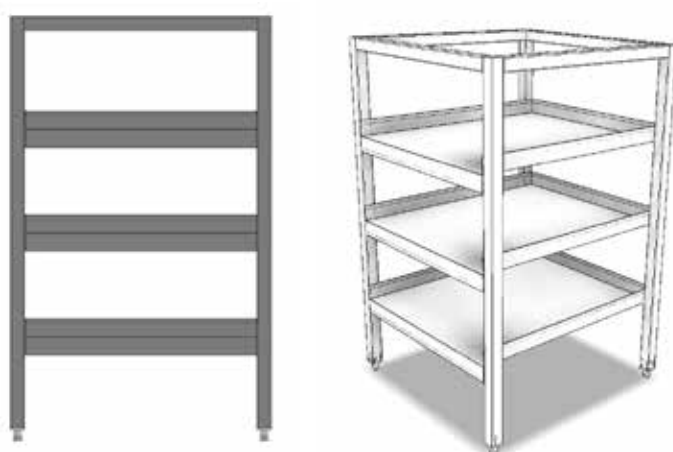
Description

Our standard range of shelving can be installed to any understructure with all edges turned down with a safety edge.

- Ideal for standard storage solutions
- Not ideal for glass storage without use of a slip resistant matt

Safe Store Shelves

code ref: SS



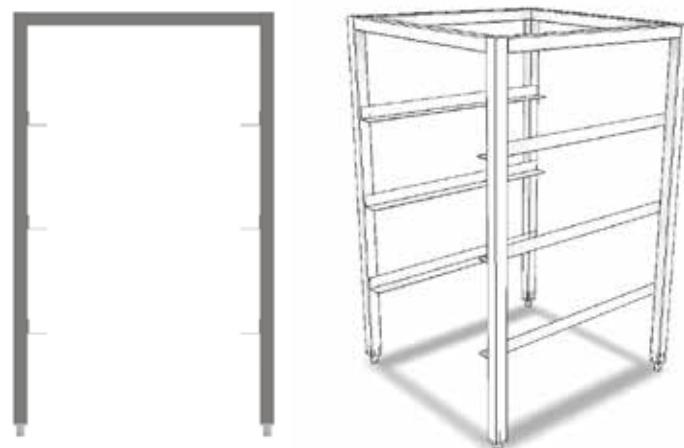
Description

Our safe store range of shelving can be installed to any understructure with three edges turned up to the back, left and right. Designed in mind to stop glasses being pushed off the shelf, with the front edge turned down for easy storage.

- Ideal for glass storage
- Not ideal for high volume

Fast Rack System

code ref: FR



Description

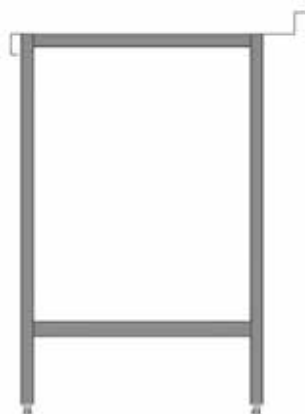
Fast Rack designed for high volume bars with efficiency in mind. Straight from the glasswasher into storage. Saves huge amounts of time against restocking shelves. Available to suit all basket sizes. Standard size 500mm basket.

- Ideal for high volume
- Not ideal for low volume with mixed glasses

CHOOSE YOUR PROFILE OPTIONS

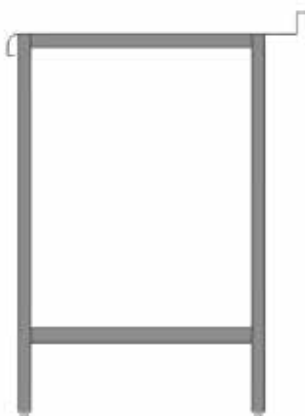
Standard Square Profile

code ref: STD



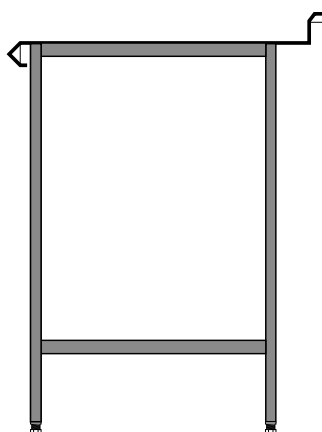
Bull Nose Profile

code ref: BULL


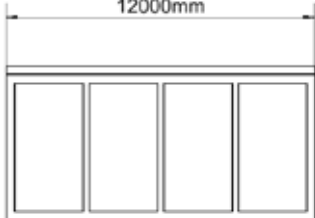



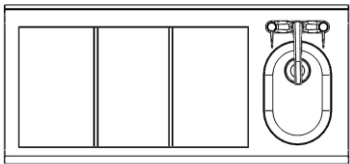
Acute Profile


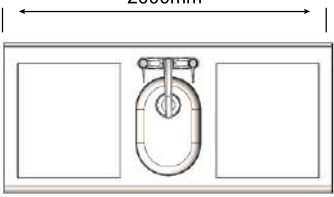
code ref: ACU


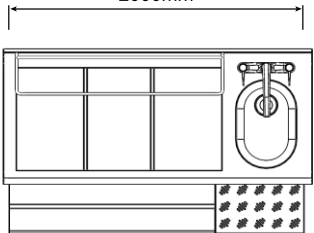


ICEWELL RANGE

PRODUCT	CODE	DIMENSIONS	
Standard Ice Chest MONO	MONO/400 MONO/600 MONO/800 MONO/1000 MONO/1200	400mm 600mm 800mm 1000mm 1200mm	
<p>A full length Insulated Ice Chest installed with dividers for ice separation. Our basic ice well. Suitable for all users. Comes with waste hole for drainage. Compatible with w/machines, with undershelf and valances.</p>			

PRODUCT	CODE	DIMENSIONS	
Standard Ice Chest with glass wash bowl TAURUS	TAUR/600 L/H or R/H TAUR/800 L/H or R/H TAUR/1000 L/H or R/H TAUR/1200 L/H or R/H TAUR/1500 L/H or R/H		
<p>Our 3/4 Insulated Ice Chest with a built -in heavy duty glass wash bowl with waste hole and overflow. With dividers for ice separation as standard with valances and undershelf drain hole built into Ice Chest compatible with w/machines.</p>			

PRODUCT	CODE	DIMENSIONS	
Double Ice Chest with central glasswash bowl GEMINI	GEM/1200 GEM/1500 GEM/1800 GEM/2000	1200mm 1500mm 1800mm 2000mm	
<p>Our Double Insulated Ice Chest with central glass wash bowl. Typically for bigger size applications. For users left or right. With drainage hole to Ice Chest. Waste hole and overflow in glass wash bowl. As standard with valances and undershelf.</p>			

PRODUCT	CODE	DIMENSIONS	
Maxi Station	MAX/1200 MAX/1500 MAX/1800 MAX/2000	1200mm 1500mm 1800mm 2000mm	
<p>Our Maxi Cocktail Station is our fully loaded cocktail station. Pre-designed for maximum use single station cocktail bars or for busy bar operators who want to maximise user output.</p> <p>The Maxi comes pre ready with all the options</p> <ul style="list-style-type: none"> • Double Speed Rail • Blender Station • Gastro Norm Rail for fruits • Dividers for ice separation 			

ICEWELL RANGE - optional extras

PRODUCT 0001

Single Speedrawer



*Reduced in length
if mixer added*

PRODUCT 0002

Double Speedrail



*Reduced in length
if mixer added*

PRODUCT 0003

Station



PRODUCT 0004

Fruit Rail



PRODUCT 0001

Additional Bottle Storage



*(Sits between under shelf
ans undershelf)*

PRODUCT 0001

Removeable Undershelf



plumbing

PRODUCT 0004

Flexi Tap Connector



PRODUCT 0001

PTrap



PRODUCT 0001

Deck Mixer Tap



PRODUCT 0004

Speedfit Tee



PRODUCT 0001

Glass Rinser



PRODUCT 0001

High Knee Pillar Tap



PRODUCT 0004

Single Lever Tap



PRODUCT 0001

Ice Well Drain Hose





PRODUCT 0001



Glass Wash Waste Kit



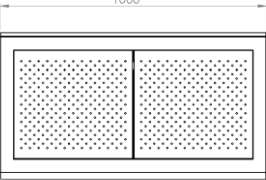

TABLES & INFILL SECTIONS

PRODUCT	SIZE	CODE	DIMENSIONS	
Shelf Unit	400mm	SHU/400		
	600mm	SHU/600		
	800mm	SHU/800		
	1000mm	SHU/1000		



Capacity of up to 200 pint (60cl) glasses per metre.
(stainless steel shelves)

PRODUCT	SIZE	CODE	DIMENSIONS	
Banks for Fast Rack System	Single 600	SB/600		
	Double 1200	SB/1200		
	Treble 1800	SB/1800		



Set sized benches for 500mm glass washer basket storage.
REDUCED SIZED OPTIONS AVAILABLE FOR SMALLER BASKETS

PRODUCT	SIZE	CODE	DIMENSIONS	
Drain Table	400mm	DT/400		
	600mm	DT/600		
	800mm	DT/800		
	1000mm	DT/1000		
	1200mm	DT/1200		

Ideal for glass dumps tables and for dirties or cleans built in drain pipe to bottom to connect to drain system.

PRODUCT	SIZE	CODE	DIMENSIONS	
Low Level Table	400mm	LT/400		
	600mm	LT/600		
	800mm	LT/800		
	1000mm	LT/1000		
	1200mm	LT/1200		

Ideal infill section to go under draught pumps where drip trays interfere with work surfaces below.


PRODUCT	SIZE	CODE	DIMENSIONS	
Infill Tables	Available in bespoke sizes			

Maximise storage space. Bespoke options such as:
open under frames, 1/2/3 tier shelving, voids for machines etc

TABLES & INFILL SECTIONS BESPOKE EXTRAS


PRODUCT	CODE	DIMENSIONS
Corner Pieces A	CORNER/A	90°

Maximise corner space with corner benches 90 degree with upstands both rear sides.



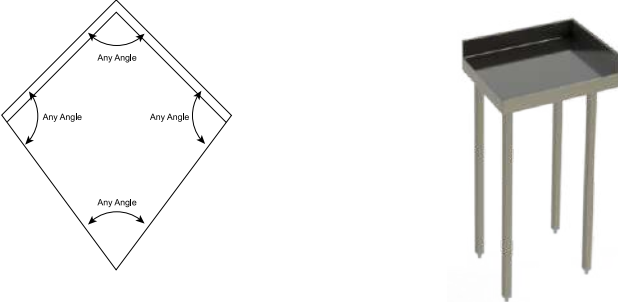
PRODUCT	CODE	DIMENSIONS
Corner Pieces B	CORNER/B	Any angle

Utilise triangular spaces, allowing for better use of space. Ideal for segmenting corners.







PRODUCT	CODE	DIMENSIONS
Corner Pieces C	CORNER/C	Any Angle

Our bespoke fabrication abilities allow us to maximise space. Made to measure with an angle finder.



optional extras

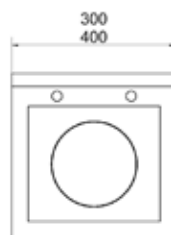
PRODUCT	100	PRODUCT	200	PRODUCT	300	PRODUCT	400
Single Cupboard Door L/H or R/H		Double Cupboard Door		Flap & Door			
Add single door to front of fabricated units max size 600mm		Add single door to front of fabricated units max size 600mm per door		Ideal for open under frames for bottle bin storage max size 600mm			

WASHING SOLUTIONS

PRODUCT	SIZE	CODE	DIMENSIONS
---------	------	------	------------

Hand Wash Unit 230 Bowl	300mm 400mm	HWB300 HWB400	
----------------------------	----------------	------------------	--

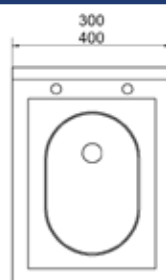
Providing a minimal space solution by adding hand wash basins, to maximise operation work space



PRODUCT	CODE	DIMENSIONS
---------	------	------------

Oval Wash Station	OVAL300 OVAL400	
-------------------	--------------------	--

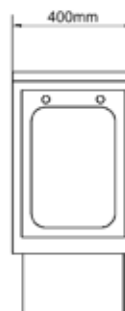
Ideal for glass rinsing.
Add a glass rinser for glass refreshing.



PRODUCT	CODE	DIMENSIONS
---------	------	------------

Blender Station	BLEND400	
-----------------	----------	--

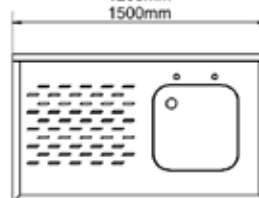
Perfect solution for blending ice and cocktails.
Rinse jugs quickly with large sink.



PRODUCT	CODE	DIMENSIONS
---------	------	------------

Single Sink 400 Bowl	SB400/LH or RH SB600/LH or RH SB800/LH or RH SB1000/LH or RH SB1200/LH or RH SB1500/LH or RH	400mm 600mm 800mm 1000mm 1200mm 1500mm
-------------------------	---	---

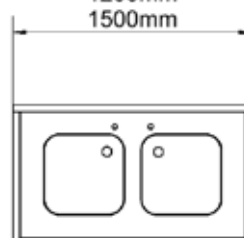
Commercial grade single bowl sink unit as standard with 400x400x300 bowl.



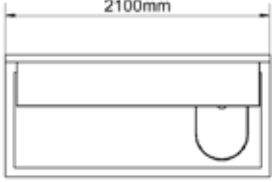

PRODUCT	CODE	DIMENSIONS
---------	------	------------

Double Sink 400 Bowls	DB1000/LH or RH DB1200/LH or RH DB1500/LH or RH	1000mm 1200mm 1500mm
--------------------------	---	----------------------------





Commercial grade double bowl sink unit as standard with 2 of - 400x400x300 bowls.



WASHING SOLUTIONS

PRODUCT	CODE	DIMENSIONS	
Maxi Glass Wash Station with void for glass washing and shelving	maxiglass1000	1000mm	
	maxiglass1000	1200mm	
	maxiglass1200	1500mm	
	maxiglass1500	1800mm	
	maxiglass1800	2100mm	
<p>Ideal for high volume glass washing void for ready for an undercounter glass washer machine. Over shelf storage for separating glasses maximise your glass washing solution in on singular station.</p>			

WASHING SOLUTIONS - optional extras

PRODUCT	100	PRODUCT	200	PRODUCT	300	PRODUCT	400
Single Cupboard Door L/H or R/H		Double Cupboard Door		Flap & Door			
Add single door to front of fabricated units max size 600mm		Add single door to front of fabricated units max size 600mm per door		Ideal for open under frames for bottle bin storage max size 600mm			

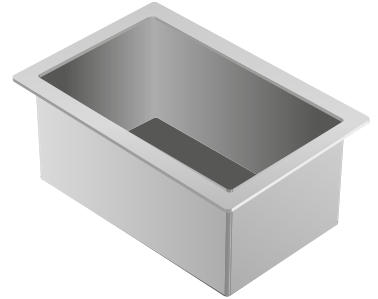
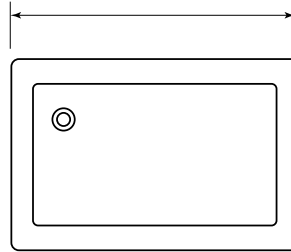
PRODUCT CARE

DRAINAGE INFORMATION

DROP IN ICEWELLS

PRODUCT	SIZE	CODE	DIMENSIONS
---------	------	------	------------

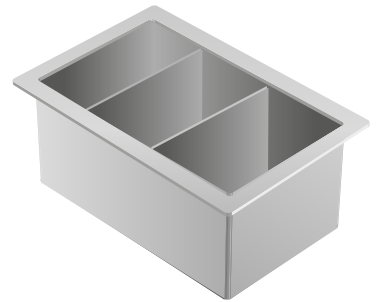
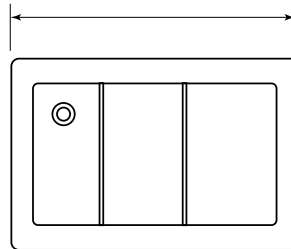
Standard Drop-In Icechest	SMALL	SIC/30
	MEDIUM	SIC/50
	LARGE	SIC/70



An insulated drop in icewell. Designed to be dropped into counters. Drain point location Removable perforated base (lid not included) AVAILABLE IN BESPOKE SIZES

PRODUCT	SIZE	CODE	DIMENSIONS
---------	------	------	------------

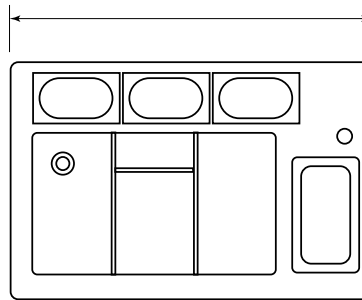
Standard Plus Drop-In Icechest	SMALL	SPC/30
	MEDIUM	SPC/50
	LARGE	SPC/70



An insulated drop in icewell. Designed to be dropped into counters. Drain point location COMES WITH DIVIDERS AND LID. Removable perforated base. AVAILABLE IN BESPOKE SIZES

PRODUCT	SIZE	CODE	DIMENSIONS
---------	------	------	------------

Maxi Drop-In Icechest	SMALL	MC/30
	MEDIUM	MC/50
	LARGE	MC/70



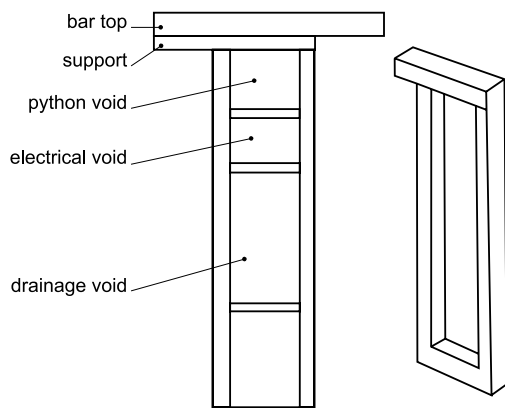
An insulated drop in icewell. Designed to be dropped into counters. Drain point location COMES WITH DIVIDERS AND LID & GASTRO HOLDER FOR FRUITS. Removable perforated base. AVAILABLE IN BESPOKE SIZES

BAR STRUCTURES & SERVICE WALL

Bar Supports

When it comes to bar supports for services typically there are three options during construction. Timber being the budget option, but as with all timber products, strength, longevity and its ability to provide a commercial solution may not always be suitable.

We provide two solutions, the first being a budget stainless steel framework "leg sets" allowing strength in its upright position battened together to create a structure. This option also provides a unique solution to curved bars.



Service Walls

Our complete solution is a fully built service wall. Our service walls are built to length of your bar a complete modular sectioned unit. With removable access panels for services, integrate electrical sockets, hide wires and allow a plug and play ability, for easy cleaning. Allowing you to provide a fully built structure which will simply need cladding to the outside. This allows a straight edge to install your cocktail bar against. A purpose built structure allows all the trades to make easy use of service voids. Keeps wires, pythons and drainage easily accessible for maintenance, repairs or upgrades. Plus it wont rot or perish over time.

BAR GANTRY DISPLAYS



Front of Bar Gantry Displays

Front of bar gantry displays provide a central focus point for your bar.

We manufacture a complete bespoke range when it comes to over head displays.

From contemporary to rustic design our 3d modelling will allow us to provide complete visuals before manufacture.

Available in all sizes, shapes and lengths.

Typically ceiling mounted to maximise space on bar tops, we also provide base mounted systems for moody atmospheres.

Lighting, glass and colours can all be incorporated within our gantry displays.

Incorporate glass displays for wine glasses, cocktail glasses and funnel jugs.

We work with mesh, stainless, copper, mild steel, powder coated metals, brass, antique and aged metals. Fully polished or rustic finishes.



BAR GANTRY DISPLAYS



Back Bar Displays

Back bar displays provide a deeper focus enabling your customers to see your drinks on display.

Each design is bespoke to the clients request. Manufactured in various ways.

From contemporary to rustic design our 3d modelling will allow us to provide complete visuals before manufacture.

Available in all sizes, shapes and lengths.

Sectioned displays allow organisation, clear displays of drinks on offer whilst providing functionality.

Lighting, glass and colours can all be incorporated within our gantry displays.

Incorporate stepped displays, bespoke spaces for designated drinks.

We work with mesh, stainless, copper, mild steel, powder coated metals, brass, antique and aged metals. Fully polished or rustic finishes.

Work tops also available in various finishes with sections below for voids for fridges additional storage and displays.

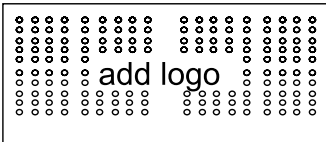
DRIP TRAYS & PEANUT RAILS

PRODUCT	SIZE	CODE	DIMENSIONS
Standard Drip Tray	600mm x 120mm	DRIP/SLIM	
	300mm x 150mm	DRIP/SMALL	
	300mm x 200mm	DRIP/MED	
	400mm x 200mm	DRIP/L	
	600mm x 200mm	DRIP/XL	



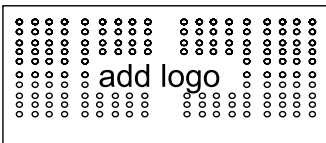
A standard surface type drip tray with perforations removable lid and base tray for cleaning. Manufactured in stainless, other metals available.
ALSO AVAILABLE IN BESPOKE SIZES

PRODUCT	SIZE	CODE	DIMENSIONS
Personalised Drip Tray	600mm x 120mm	SP/DRIP/SLIM	
	300mm x 150mm	SP/DRIP/SMALL	
	300mm x 200mm	SP/DRIP/MED	
	400mm x 200mm	SP/DRIP/L	
	600mm x 200mm	SP/DRIP/XL	



A personalised surface type drip tray with perforations, **add your logo** removable lid and base tray for cleaning. Manufactured in stainless, other metals available.
ALSO AVAILABLE IN BESPOKE SIZES

PRODUCT	SIZE	CODE	DIMENSIONS
Personalised Drip Tray	600mm x 120mm	CSP/DRIP/SLIM	
	300mm x 150mm	CSP/DRIP/SMALL	
	300mm x 200mm	CSP/DRIP/MED	
	400mm x 200mm	CSP/DRIP/L	
	600mm x 200mm	CSP/DRIP/XL	



A personalised counter sunk type drip tray with perforations **add your logo** removable lid and base tray for cleaning. Manufactured in stainless, other metals available.
ALSO AVAILABLE IN BESPOKE SIZES